

# WORKSTEAD



**LODGE PENDANT**  
oxidized ash

# WORKSTEAD



**LODGE PENDANT**  
natural oak

# WORKSTEAD



**LODGE PENDANT**  
painted white

# WORKSTEAD

## LODGE PENDANT

hardwired

### Description

The LODGE PENDANT is an elongated wooden column made up of three slender turned-wooden forms, and a central metal rod. A metal ball joins a delicate network of tubing and three radiant bulbs. Available in three standard overall heights. Custom heights available. UL Listed. Damp Rated.

### Finish Options

Natural Oak  
Oxidized Ash  
Painted White  
Hewn Brass  
Blackened Brass

### Dimensions

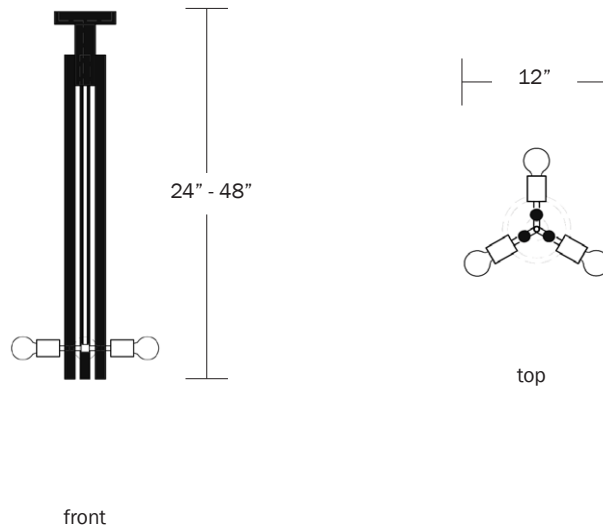
Small - 24"  
Medium - 36"  
Large - 48"  
Canopy Diameter - 6"  
Custom Heights Available

### Weight

15 lbs

### Lamp

60 Watt Incandescent Max  
(3) Tala Sphere I E12 Bulbs Included  
2" Diameter | 3.8 Watts  
220 Total Lumens  
2000-2800K Color Temperature  
Bulb Life 15,000 Hours  
110/120V, E12  
220/240V, E14  
UL/CE Listed  
Damp Rated



# WORKSTEAD

