

WORKSTEAD



LODGE DOUBLE SCONCE
oxidized ash

WORKSTEAD



LODGE DOUBLE SCNCE
natural oak

WORKSTEAD

LODGE DOUBLE SCONCE

hardwired

Description

The LODGE DOUBLE SCONCE is identical in scale to our endlessly versatile LODGE SCONCE, but introduces a second bulb, for twice the illumination. UL Listed. Damp Rated .

Finish Options

- Natural Oak
- Oxidized Ash
- Painted White
- Hewn Brass
- Blackened Brass

Dimensions

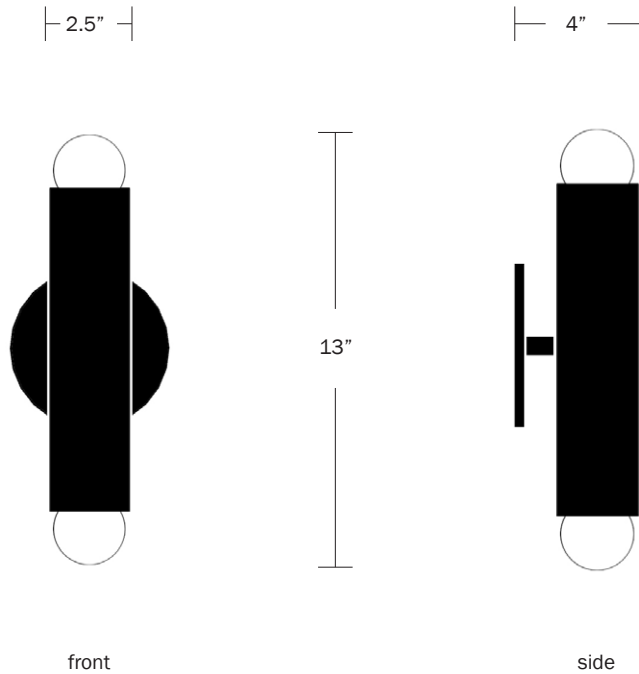
- ADA Compliant
- Cylinder Height - 10"
- Overall Height - 13"
- Cylinder Diameter - 2.5"
- Canopy Diameter - 5"

Weight

8 lbs

Lamp

- 25 Watt Incandescent Max
- (2) Tala Sphere I E12 Bulb Included
- 2" Diameter | 3.8 Watts
- 220 Total Lumens
- 2000-2800K Color Temperature
- Bulb Life 15,000 Hours
- 110/120V, E12
- 220/240V, E14
- UL/CE Listed
- Damp Rated



WORKSTEAD

