

# WORKSTEAD



**LODGE CHANDELIER III**  
oxidized ash

# WORKSTEAD



**LODGE CHANDELIER III**  
natural oak

# WORKSTEAD



**LODGE CHANDELIER III**  
painted white

# WORKSTEAD

## LODGE CHANDELIER III

hardwired

### Description

The LODGE CHANDELIER III explores the concept of wooden framework in contrast with metal structure. Three turned-wooden forms support a delicate system of metal tubing, and a trio of radiant porcelain bulbs. Custom dimensions available. Made in the USA. UL Listed. Damp Rated upon request.

### Finish Options

Natural Oak  
Oxidized Ash  
Painted White  
Hewn Brass  
Blackened Brass

### Dimensions

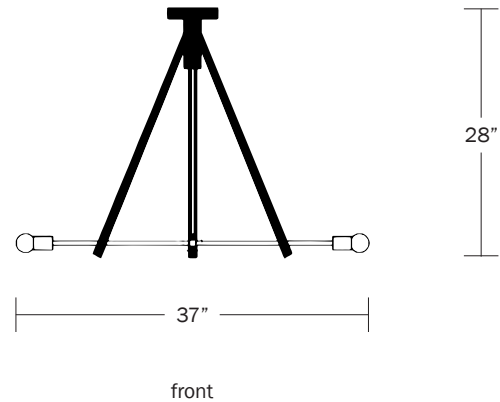
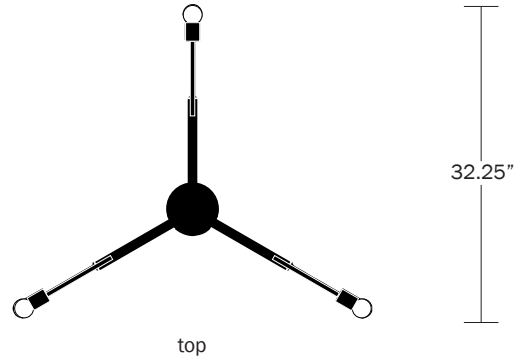
Overall Height - 28"  
Width - 37"  
Custom Dimensions Available

### Weight

15 lbs

### Lamp

60 Watt Incandescent Max Per Socket  
(3) 5W Dimmable  
Tala Sphere I E12 Bulbs Included  
2" Diameter | 4 Watts  
220 Lumens Per Bulb  
2000-2800K Color Temperature  
Bulb Life 15,000 Hours  
110/120V, E12  
220/240V, E14  
UL/CE Listed  
Damp Rated



# WORKSTEAD

