

WORKSTEAD

INSTALLATION INSTRUCTIONS | NEEDLE SCONCE



GENERAL NOTES

This luminaire is UL, cUL, and CE listed for installation in dry or damp locations.

When installing luminaire, conform to all applicable local electrical codes, ordinances, and the National Electrical Code (NEC).

For your safety and proper operation of luminaire, read and understand all instructions completely before commencing installation of this luminaire.

Carefully unpack the luminaire and inspect for damage.

Use the enclosed gloves when handling the luminaire.

This product is rated for one (1) 40W max E12 G16 bulb (or E14 G50 bulb, depending on your location).

NOTE: THIS LUMINAIRE REQUIRES A 2"X4" SINGLE GANG JUNCTION BOX.

Save these instructions for future reference.

CAUTION

This product should be installed only by a licensed electrician.

WARNING

The electricity must be turned off at the main fuse box before installing this luminaire. Turning power off using the light switch may not be sufficient to prevent electrical shock.

Use UL listed wire nuts for all wiring connections in this luminaire. Wrap wire nut connections with UL listed electrical tape.

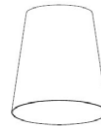
INCLUDED COMPONENTS FOR INSTALLATION



(1) luminaire body



(1) mounting plate



(1) shade



(1) E12/E14 bulb



(2) 1-1/2" #8 x 32 machine screws



(1) 1/2" #8 x 32 set screw



(3) wire nuts



(1) Allen wrench

ASSEMBLY AND MOUNTING INSTRUCTIONS

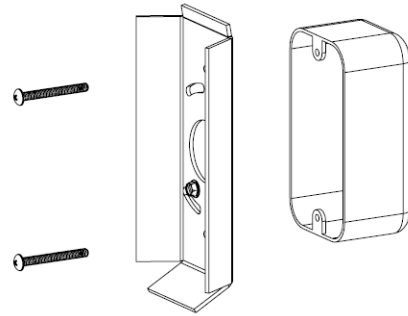
STEP 1 | CUT POWER

Shut off the main electrical supply to the junction box from the fuse box/circuit breaker. Turning power off at the switch is not sufficient.

STEP 2 | ATTACH MOUNTING PLATE

Locate the junction box in the wall. Attach the mounting plate provided to the junction box using the 1-1/2" #8 x 32 machine screws provided. (Fig. 1)

Fig. 1



STEP 3 | CONNECT WIRES

Using the wire nuts provided, make electrical connections by following the electrical configuration table. (Fig. 2) Ensure that all electrical connections are wrapped with UL listed electrical tape.

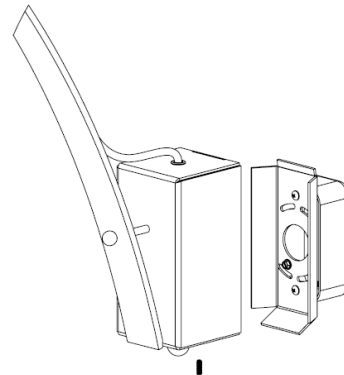
Fig. 2

FROM SUPPLY	TO LUMINAIRE
Connect black or red (hot) house supply circuit wire to:	Luminaire black wire (hot)
Connect white (neutral) house supply circuit wire to:	Luminaire white wire (neutral)
Connect green insulated or bare copper (ground) house supply circuit wire to:	Luminaire bare copper wire (ground)

STEP 4 | SECURE BACKPLATE

Carefully tuck the wiring into the junction box. Hook the cleat on the top of the backplate over the upper mounting tab on the top of the mounting plate. Allow the backplate to rest flush with the wall. Using the Allen wrench provided, thread the set screw provided into the hole in the bottom of the backplate until the set screw is flush with the edge of the backplate. (Fig. 3)

Fig. 3



STEP 5 | INSTALL BULB

Install the bulb provided. Return power to the luminaire. If the luminaire is equipped with a dimmer dial, turn the dial to confirm proper function. If further work is needed, be sure to turn off power to luminaire before proceeding.

STEP 6 | INSTALL SHADE

Open the bulb clip partially and gently press the bulb clip onto the bulb. (See Fig. 4 on page 4) Gently adjust until the shade is at the desired angle.

WORKSTEAD

INSTALLATION INSTRUCTIONS | NEEDLE SCONCE



ASSEMBLY AND MOUNTING INSTRUCTIONS

Fig. 4

