

WORKSTEAD

INSTALLATION INSTRUCTIONS | SIGNAL SCONCE



GENERAL NOTES

This luminaire is UL, cUL, and CE listed for installation in dry or damp locations.

When installing luminaire, conform to all applicable local electrical codes, ordinances, and the National Electrical Code (NEC).

For your safety and proper operation of luminaire, read and understand all instructions completely before commencing installation of this luminaire.

Carefully unpack the luminaire and inspect for damage.

Use the enclosed gloves when handling the luminaire.

This product is rated for one (1) 40W max E12 G16.5 bulb (or E14 G50 bulb, depending on your location).

Save these instructions for future reference.

CAUTION

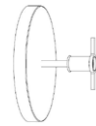
This product should be installed only by a licensed electrician.

WARNING

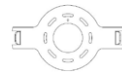
The electricity must be turned off at the main fuse box before installing this luminaire. Turning power off using the light switch may not be sufficient to prevent electrical shock.

Use UL listed wire nuts for all wiring connections in this luminaire. Wrap wire nut connections with UL listed electrical tape.

INCLUDED COMPONENTS FOR INSTALLATION



(1) luminaire body



(1) mounting plate



(1) glass globe



(1) E12/E14 bulb



(2) lens finials with nylon bushing



(1) pull chain (if pull chain ordered)



(2) 1-1/2" #8 x 32 machine screws



(2) 1/2" #8 x 32 set screws



(3) wire nuts



(1) Allen wrench

ASSEMBLY AND MOUNTING INSTRUCTIONS

STEP 1 | CUT POWER

Shut off the main electrical supply to the junction box from the fuse box/circuit breaker. Turning power off at the switch is not sufficient.

STEP 2 | ATTACH MOUNTING PLATE

Locate the junction box in the wall. Attach the luminaire via the mounting plate to the junction box using the (2) 1-1/2" #8 machine screws provided. (Fig. 1)

STEP 3 | ROUTE PULL CHAIN - SKIP IF NO PULL CHAIN

Gently route the pull chain through the off-center hole with bushing in the canopy and connect to the chain clasp. NOTE: The length of the pull chain can be adjusted during installation by disconnecting the pull chain from the clasp, cutting the end that connects to the clasp to the desired length, and reattaching the pull chain to the clasp. CAUTION: DO NOT CUT TOO SHORT.

STEP 4 | CONNECT WIRES

Using the wire nuts provided, make electrical connections by following the electrical configuration table. (Fig. 2) Ensure that all electrical connections are wrapped with UL listed electrical tape.

STEP 5 | SECURE BACKPLATE

Carefully tuck the wiring into the junction box. Using the Allen wrench provided, thread one of the set screws provided into the upper hole in the backplate until the set screw is flush with the edge of the backplate. Hook the set screw onto the upper mounting tab on the mounting plate. Allow the backplate to rest flush with the wall. Thread the second set screw provided into the lower hole in the backplate until the set screw is flush with the edge of the backplate. (Fig. 3) NOTE: If a pull chain is present, ensure the backplate is installed so that the pull chain is facing down.

Fig. 1

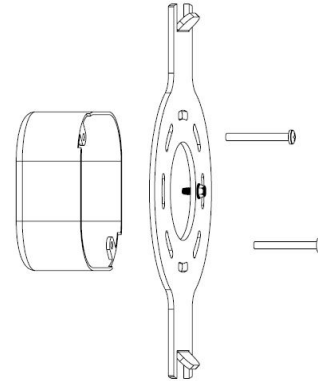
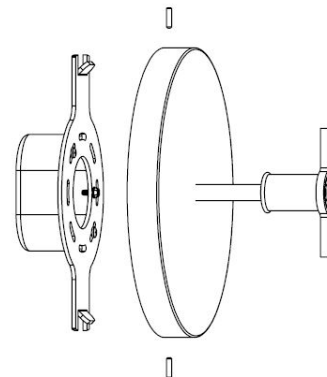


Fig. 2

FROM SUPPLY	TO LUMINAIRE
Connect black or red (hot) house supply circuit wire to:	Luminaire black wire (hot)
Connect white (neutral) house supply circuit wire to:	Luminaire white wire (neutral)
Connect green insulated or bare copper (ground) house supply circuit wire to:	Luminaire bare copper wire (ground)

Fig. 3



ASSEMBLY AND MOUNTING INSTRUCTIONS

STEP 6 | INSTALL BULB

Install the bulb provided. Return power to the luminaire. If the luminaire is equipped with a pull chain, pull the chain to confirm proper function. If further work is needed, be sure to turn off power to luminaire before proceeding.

STEP 7 | INSTALL GLASS

Angle the glass and slip it over the center hub. (Fig. 4)

STEP 8 | SECURE GLASS

Straighten the glass and align one hole in the side of the glass with one hole in the center hub. Carefully insert one of the lens finials through the hole in the glass and thread one lens finial provided into the hole in the center hub until the lens is secured. Do not fully thread the lens finial into the center hub. Repeat on the other side of the lens. Once both lens finials are threaded, continue threading them both until they are tightened against the glass. CAUTION: DO NOT OVERTIGHTEN. (Fig. 5) NOTE: If a pull chain is present, ensure the finial with the hole through it is installed on the side with the pull chain, then route the pull chain through the hole.

Fig. 4

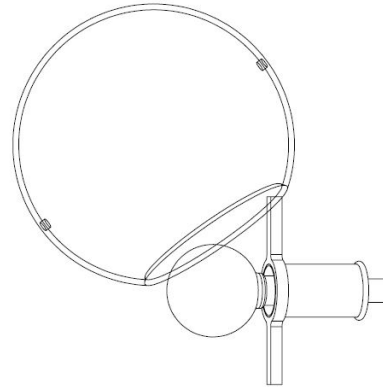


Fig. 5

