

WORKSTEAD

INSTALLATION INSTRUCTIONS | PENDOLO FLUSH MOUNT LARGE



GENERAL NOTES

This luminaire is UL, cUL, and CE listed for installation in dry or damp locations.

When installing luminaire, conform to all applicable local electrical codes, ordinances, and the National Electrical Code (NEC).

For your safety and proper operation of luminaire, read and understand all instructions completely before commencing installation of this luminaire.

Carefully unpack the luminaire and inspect for damage.

Use the enclosed gloves when handling the luminaire.

This product is rated for one (1) 40W max E12 G16 bulb (or E27 G50 bulb, depending on your location).

Save these instructions for future reference.

CAUTION

This product should be installed only by a licensed electrician.

WARNING

The electricity must be turned off at the main fuse box before installing this luminaire. Turning power off using the light switch may not be sufficient to prevent electrical shock.

Use UL listed wire nuts for all wiring connections in this luminaire. Wrap wire nut connections with UL listed electrical tape.

INCLUDED COMPONENTS FOR INSTALLATION



(1) luminaire body



(1) mounting plate



(1) shade



(1) E12/E14 bulb



(2) 1-1/2" #8 x 32 machine screws



(2) 3/8" #8 x 32 & (2) 1/2" #8 x 32 set screws



(3) wire nuts



(1) Allen wrench

ASSEMBLY AND MOUNTING INSTRUCTIONS

NOTE

Do not remove the plastic covering the shade until indicated to preserve the fabric.

STEP 1 | CUT POWER

Shut off the main electrical supply to the junction box from the fuse box/circuit breaker. Turning power off at the switch is not sufficient.

STEP 2 | ATTACH MOUNTING PLATE

Locate the junction box in the ceiling. Attach the assembled fixture via the mounting plate to the junction box using the (2) 1-1/2" #8 machine screws provided. (Fig. 1)

STEP 3 | CONNECT WIRES

Using the wire nuts provided, make electrical connections by following the electrical configuration table. (Fig. 2) Ensure that all electrical connections are wrapped with UL listed electrical tape.

STEP 4 | SECURE CANOPY

NOTE: 1/2" and 3/8" set screws included for mounting. Utilize the screw that works best for j-box site conditions. Carefully tuck the wiring into the junction box. Using the Allen wrench provided, thread one of the set screws into one of the holes in the canopy until the set screw is flush with the edge of the canopy. Hook the set screw onto one of the mounting tabs on the mounting plate. Hold the canopy flush against the mounting surface and thread the second set screw into the other hole in the canopy until the set screw is flush with the edge of the canopy. (Fig. 3)

STEP 5 | INSTALL SHADE

Remove the plastic from the shade. Thread the shade onto the socket cup. Ensure the shade is fully seated.

Fig. 1

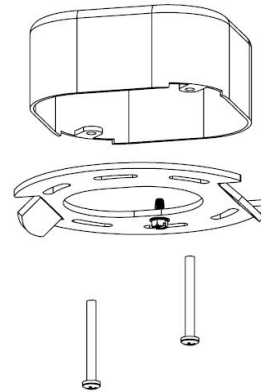
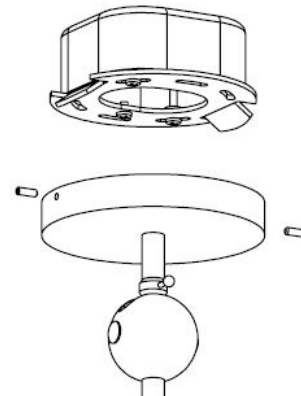


Fig. 2

FROM SUPPLY	TO LUMINAIRE
Connect black or red (hot) house supply circuit wire to:	Luminaire black wire (hot)
Connect white (neutral) house supply circuit wire to:	Luminaire white wire (neutral)
Connect green insulated or bare copper (ground) house supply circuit wire to:	Luminaire bare copper wire (ground)

Fig. 3



ASSEMBLY AND MOUNTING INSTRUCTIONS

STEP 6 | ADJUST SHADE

Adjust the angle of the shade by loosening the ball head key and rotating the ball head around the arm. **CAUTION: DO NOT UN-THREAD THE BALL HEAD KEY FROM THE MACHINED NECK.** Re-tighten the ball head key once the shade is in the desired position. (Fig. 4)

STEP 7 | INSTALL BULB

Install the bulb provided. Return power to the luminaire to confirm proper function. If further work is needed, be sure to turn off power to luminaire before proceeding.

Fig. 4

