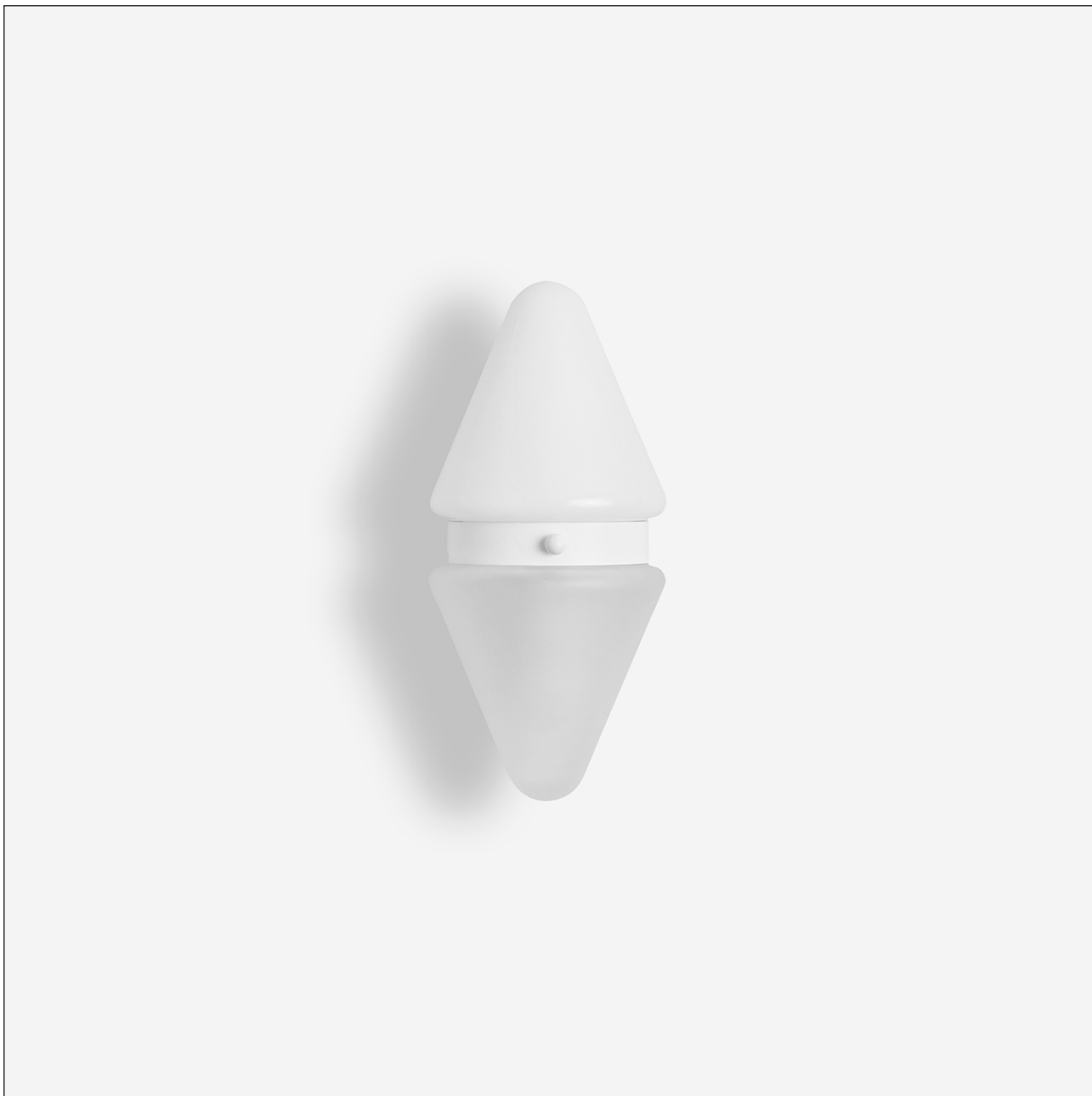


WORKSTEAD

INSTALLATION INSTRUCTIONS | CARDINAL SCONCE



GENERAL NOTES

This luminaire is UL, cUL, and CE listed for installation in dry or damp locations.

When installing luminaire, conform to all applicable local electrical codes, ordinances, and the National Electrical Code (NEC).

For your safety and proper operation of luminaire, read and understand all instructions completely before commencing installation of this luminaire.

Carefully unpack the luminaire and inspect for damage.

Use the enclosed gloves when handling the luminaire.

This product is rated for two (2) 25W max E12 G16 bulbs (or E14 G50 bulbs, depending on your location).

Save these instructions for future reference.

CAUTION

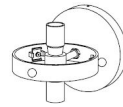
This product should be installed only by a licensed electrician.

WARNING

The electricity must be turned off at the main fuse box before installing this luminaire. Turning power off using the light switch may not be sufficient to prevent electrical shock.

Use UL listed wire nuts for all wiring connections in this luminaire. Wrap wire nut connections with UL listed electrical tape.

INCLUDED COMPONENTS FOR INSTALLATION



(1) luminaire body



(1) mounting plate



(1) top lens



(1) bottom lens



(2) E12/E14 bulbs



(2) 1-1/2" #8 x 32 machine screws



(2) 3/8" #8 x 32 & (2) 1/2" #8 x 32 set screws

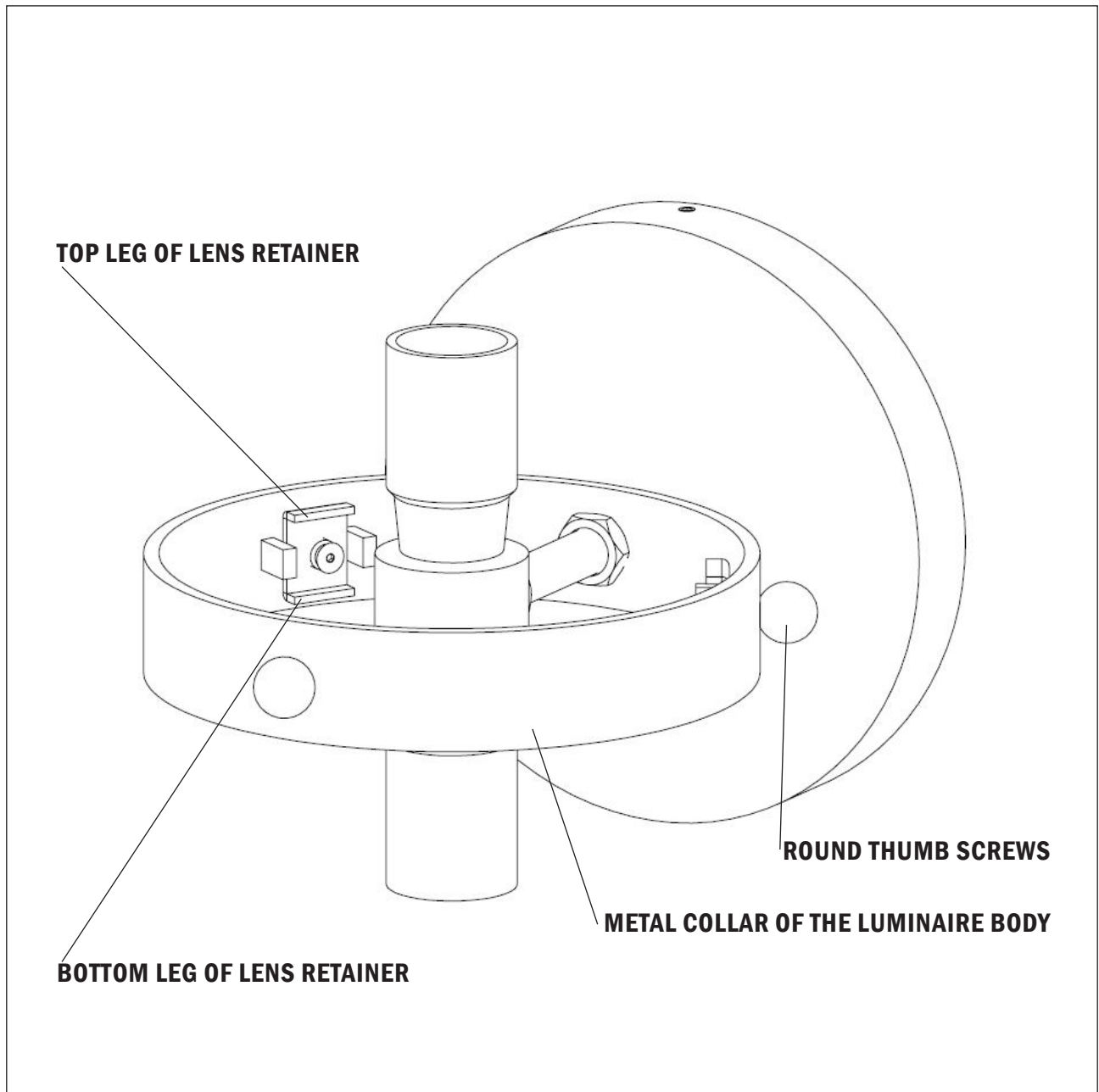


(3) wire nuts



(1) Allen wrench

PARTS DIAGRAM



ASSEMBLY AND MOUNTING INSTRUCTIONS

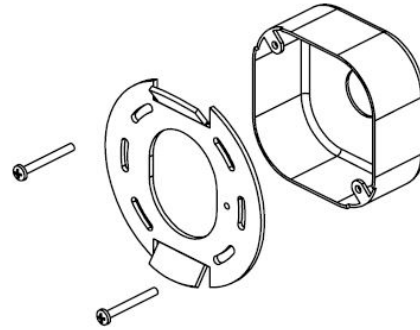
STEP 1 | CUT POWER

Shut off the main electrical supply to the junction box from the fuse box/circuit breaker. Turning power off at the switch is not sufficient.

STEP 2 | ATTACH MOUNTING PLATE

Locate the junction box in the wall. Attach the mounting plate provided to the junction box using the 1-1/2" #8 x 32 machine screws provided. (Fig. 1) Ensure the mounting tabs are aligned vertically as shown in Fig. 1 to correspond with the proper orientation of the backplate.

Fig. 1



STEP 3 | CONNECT WIRES

Using the wire nuts provided, make electrical connections by following the electrical configuration table. (Fig. 2) Ensure that all electrical connections are wrapped with UL listed electrical tape.

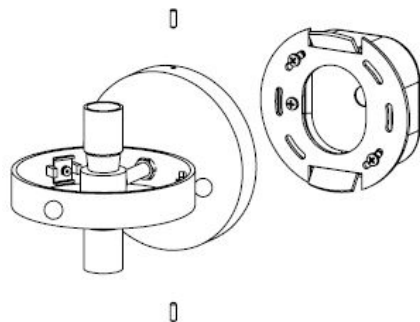
Fig. 2

FROM SUPPLY	TO LUMINAIRE
Connect black or red (hot) house supply circuit wire to:	Luminaire black wire (hot)
Connect white (neutral) house supply circuit wire to:	Luminaire white wire (neutral)
Connect green insulated or bare copper (ground) house supply circuit wire to:	Luminaire bare copper wire (ground)

STEP 4 | SECURE BACKPLATE

NOTE: 1/2" and 3/8" set screws included for mounting. Utilize the screw that works best for j-box site conditions. Carefully tuck the wiring into the junction box. Using the Allen wrench provided, thread one of the set screws into the upper hole in the backplate until the set screw is flush with the edge of the backplate. Hook the set screw onto the upper mounting tab on the mounting plate. Allow the backplate to rest flush with the wall. Thread the second set screw into the lower hole in the backplate until the set screw is flush with the edge of the backplate. (Fig. 3)

Fig. 3



STEP 5 | INSTALL BULBS

Install the bulbs provided. Return power to the luminaire to confirm proper function. If further work is needed, be sure to turn off power to luminaire before proceeding.

ASSEMBLY AND MOUNTING INSTRUCTIONS

STEP 6 | CUT POWER

Once proper function is confirmed, shut off the main electrical supply to the junction box from the fuse box/circuit breaker. Turning power off at the switch is not sufficient.

STEP 7 | INSTALL TOP GLASS

Loosen, but do not fully remove, the three round thumb screws on the metal collar of the luminaire body. Orient the top white enamel glass so that the notch on the bottom lip faces the wall. Place the glass into the metal collar of the luminaire body. Ensure that the lip of the glass seats under the top leg of each lens retainer. (Fig. 4)

STEP 8 | INSTALL BOTTOM GLASS

Orient the bottom sandblasted glass so that the notch on the top lip faces the wall. Raise the glass into the metal collar of the luminaire body. Ensure that the lip of the glass seats over the bottom leg of each lens retainer. (Fig. 5) Once the glass is seated in the lens retainers, hold the bottom glass in place and tighten all three round thumb screws against the glass shades. CAUTION: DO NOT OVER-TIGHTEN THE ROUND THUMB SCREWS. Return power to the luminaire.

Fig. 4

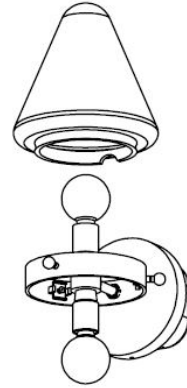


Fig. 5

