

# WORKSTEAD

INSTALLATION INSTRUCTIONS | BRICK I

---



# WORKSTEAD

## INSTALLATION INSTRUCTIONS | BRICK I



### GENERAL NOTES

This luminaire is UL, cUL, and CE listed for installation in dry or damp locations.

When installing luminaire, conform to all applicable local electrical codes, ordinances, and the National Electrical Code (NEC).

For your safety and proper operation of luminaire, read and understand all instructions completely before commencing installation of this luminaire.

Carefully unpack the luminaire and inspect for damage.

Use the enclosed gloves when handling the luminaire.

This product is rated for one (1) 10W max E12 corn cob bulb (or E14 corn cob bulb, depending on your location).

Save these instructions for future reference.

### CAUTION

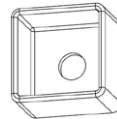
This product should be installed only by a licensed electrician.

### WARNING

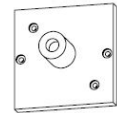
The electricity must be turned off at the main fuse box before installing this luminaire. Turning power off using the light switch may not be sufficient to prevent electrical shock.

Use UL listed wire nuts for all wiring connections in this luminaire. Wrap wire nut connections with UL listed electrical tape.

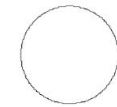
### INCLUDED COMPONENTS FOR INSTALLATION



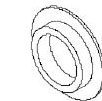
(1) ceramic luminaire body



(1) mounting plate



(1) matte opal glass globe w/globe retainer



(1) metal retainer ring



(1) E12/E14 bulb



(2) 1-1/2" #8 x 32 machine screws



(3) wire nuts

### ASSEMBLY AND MOUNTING INSTRUCTIONS

#### STEP 1 | CUT POWER

Shut off the main electrical supply to the junction box from the fuse box/circuit breaker. Turning power off at the switch is not sufficient.

#### STEP 2 | CONNECT WIRES

Using the wire nuts provided, make electrical connections by following the electrical configuration table. (Fig. 1) Ensure that all electrical connections are wrapped with UL listed electrical tape.

#### STEP 3 | ATTACH MOUNTING PLATE

Locate the junction box in the wall. Attach the mounting plate provided to the junction box using the 1-1/2" #8 x 32 machine screws provided. (Fig. 2)

#### STEP 4 | SECURE SOCKET

Slip the ceramic body over the socket and secure the body to the mounting plate by threading the metal retainer ring onto the socket. Ensure the wide flange end of the retainer ring sits flush against the ceramic body. (Fig. 3)

#### STEP 5 | INSTALL BULB

Install the bulb provided. Return power to the luminaire to ensure proper function. Once proper function is confirmed, turn off power again before installing the glass.

#### STEP 6 | INSTALL GLASS

Thread the glass onto the socket until the glass is snug against the front face of the metal retainer ring. CAUTION: DO NOT OVERTIGHTEN. Return power to the luminaire.

Fig. 1

FROM SUPPLY	TO LUMINAIRE
Connect black or red (hot) house supply circuit wire to:	Luminaire black wire (hot)
Connect white (neutral) house supply circuit wire to:	Luminaire white wire (neutral)
Connect green insulated or bare copper (ground) house supply circuit wire to:	Luminaire bare copper wire (ground)

Fig. 2

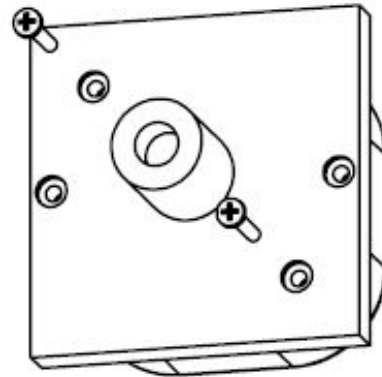


Fig. 3

